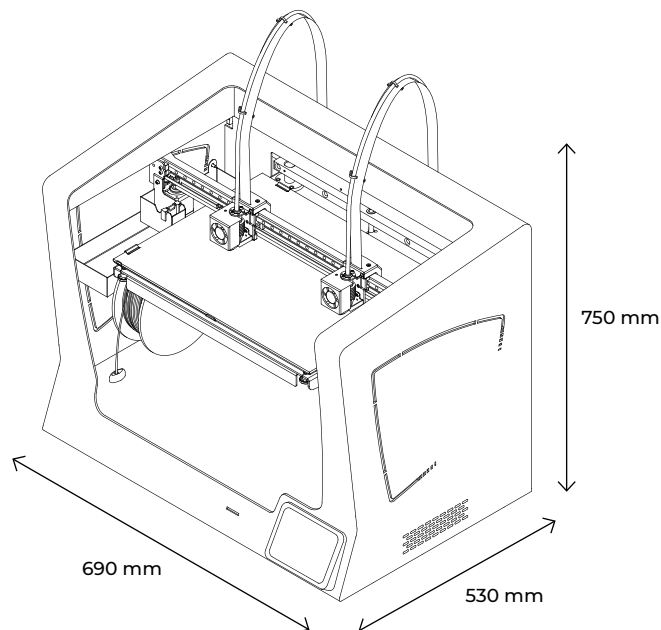
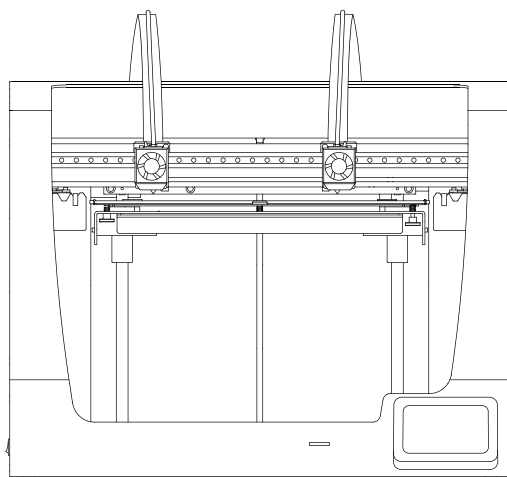


# Specifications



## BCN3D Sigma D25



### Printer properties

<b>3D Printing Technology</b>	Fused Filament Fabrication (FFF)
<b>Architecture</b>	Independent Dual EXtruder (IDEX)
<b>Printing volume</b>	420mm x 300mm x 200mm
<b>Number of extruders</b>	2
<b>Warranty</b>	2 years for EU countries 1 year for non-EU countries
<b>Extruder system</b>	Extruder Bondtech™ high-tech dual drive gears Hotends optimized and manufactured by e3D™
<b>Printing modes</b>	Single mode Duplication mode Mirror mode Multimaterial mode Soluble Supports mode
<b>Electronics</b>	Single Board Computer: Toradex ARM Compute Module Motion Board: BCN3D Electronics with Independent Stepper Drivers
<b>Firmware</b>	BCN3D Embedded Linux distribution BCN3D Sigma D25 - Marlin
<b>Heated bed</b>	Silicone thermal pad

# Specifications



## BCN3D Sigma D25

### Printer properties

Screen	5" full color capacitive touchscreen
Supported languages	Spanish English German French Italian Japanese Portuguese Chinese
Supported files	*.gcode
Operating sound	49dB
Nozzle diameter	Brass nozzle: 0,4mm (default)   0,8mm
Certifications	CE / FCC
Connectivity	Offline printing: SD card Online printing: WiFi or Ethernet (through BCN3D Cloud)

### Materials

Filament diameter	2,85 ± 0,05 mm
Compatible materials	Standard materials: PLA, PET-G, TPU 98A, PVA
Open filament system	Yes

### Physical properties

Overall dimensions	690mm (W) x 530mm (D) x 750mm (H)
Weight	30Kg
Shipping box dimensions	700mm (W) x 570mm (D) x 765mm (H)
Shipping weight	43Kg
Shipping method	Box

# Specifications



## BCN3D Sigma D25

### Printing properties

Recommended profiles	Layer height: 0,2mm   0,3mm   0,4mm (depending on nozzle diameter)
Layer height	0,05mm - 0,5mm (custom profiles)
Positioning resolution (X / Y / Z)	1,25µm / 1,25µm / 1µm
Operating temperature	15 °C - 30 °C
Extruder maximum temperature	300 °C
Heated bed maximum temperature	80 °C

### Electric Properties

Input	AC 84-240V, AC 3,6-1,3A, 50-60Hz
Maximum power consumption	650W

### Software

File preparation software	BCN3D Cura
Operating Systems	Windows, Mac, Linux
Supported files	STL, 3MF, OBJ, AMF
Wireless connectivity	BCN3D Cloud
Supported browsers	Google Chrome, Mozilla Firefox, Microsoft Edge, Safari, Opera