

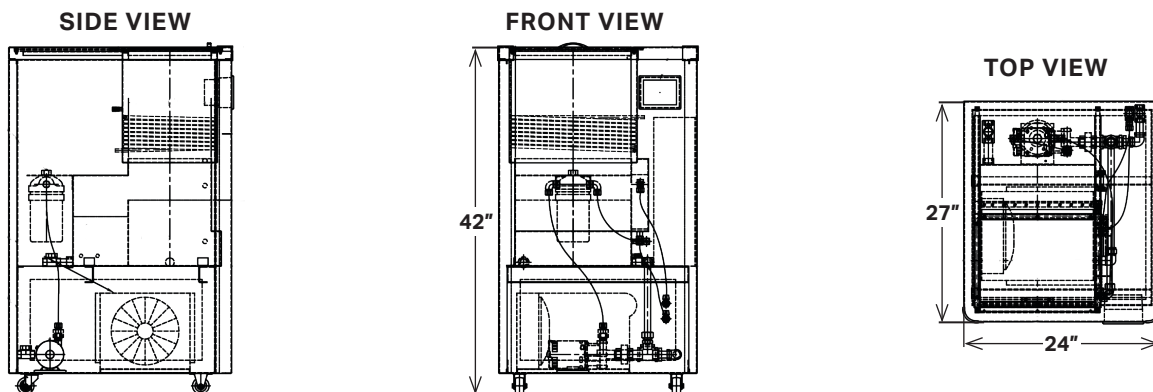
DEBINDER SPECIFICATIONS

# Wash-1

The first step in transforming a printed “green” part into fully dense metal is debinding. The Wash-1 immerses the green part in a specialized fluid which removes the primary binding material, leaving the part semi-porous so the remaining binder can easily burn off during sintering. This debinding step purifies the final metal part and helps keep your sintering furnace clean.

<b>Debinder Properties</b>	Materials Supported	All Metals
	Fluid	Opteon Sion
	Controller	Integrated Control System
	Workholding	Stainless Steel Basket
	Washing Size	356 x 254 x 203 mm (14 x 10 x 8 in)
	Washing Volume	18,356 cubic cm (1120 cubic in)
	<b>Safety &amp; Installation</b>	Environmental Req.
Safety Control		Low Fluid Shutoff Control High Vapor Pressure Shutoff Control
Regulatory		Refer to MSDS
Emissions		Low Emission Design to Conserve Solvent
Power		120/240 VAC Single Phase, 15A/1650W Peak Draw
<b>Physical Dimensions</b>		External Dimensions
	Weight	136 kg (300 lbs)

**Bundle Cost** **\$124,990 SRP**



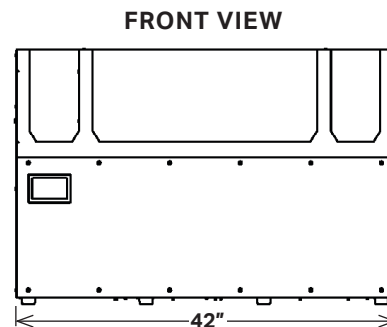
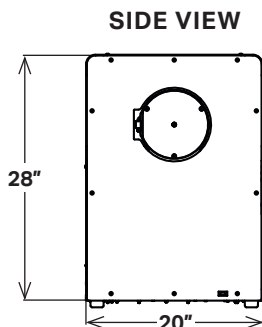
All specifications approximate and subject to change without notice.

FURNACE SPECIFICATIONS

# Sinter-1

The Markforged Sinter-1 is a high performing, high value furnace - it's affordable, sizable, and reliable. Featuring 4760 cubic cm of working volume, The Sinter-1 effortlessly converts washed parts into their dense final metallic form. Built on 30 years of Metal Injection Molding (MIM) technology, it is ideal for sintering medium sized parts and small batch production.

<b>Furnace Properties</b>	<b>Materials Supported</b>	All Commercial Grade Metals Including: Stainless Steel, Tool Steel, Inconel, Aluminum, & Titanium
	<b>Heating Element</b>	Kanthal
	<b>Controller</b>	Pre-Programmed Automatic Cycling
	<b>Peak Temperature</b>	1300° C
	<b>Sintering Capacity</b>	Cylindrical - 141 mm ID x 305 mm L (5.55" ID x 12" L)
	<b>Sintering Volume</b>	4760 cubic cm (290 cubic in)
	<b>Gas Types</b>	Nitrogen, Argon, and Forming Gases
	<b>Retort</b>	High Purity Refractory Retort (Carbon Free)
	<b>Sintering Surface</b>	Ceramic
<b>Safety &amp; Installation</b>	<b>Environmental Req.</b>	External Exhaust (100 CFM)
	<b>Power</b>	208-250 V Single Phase 36A, Recommend Wiring 50A
	<b>Over Temperature</b>	Protection System Included
<b>Physical Dimensions</b>	<b>External Dimensions</b>	1067 x 505 x 720 mm (42 x 20 x 28 in)
	<b>Weight</b>	136 kg (300 lbs)
<b>Bundle Cost</b>	<b>\$124,990 SRP</b>	



All specifications approximate and subject to change without notice.